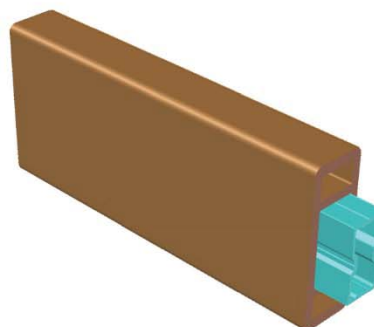
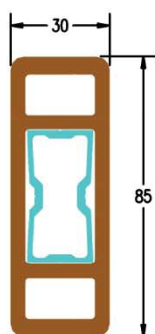
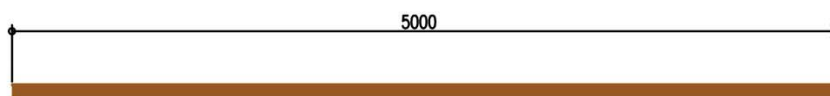


Density: 1,30 kg/dm³
Linear weight: 2,86+1,70(ALU) kg/ml



- Up to 5ml between supports



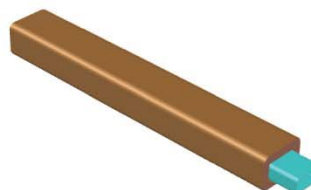
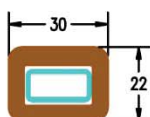
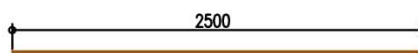
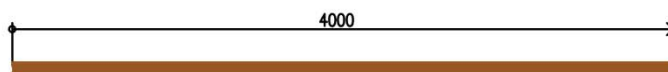
Density: 1,30 kg/dm³
Linear weight: 1,53+0,54(ALU) kg/ml




- Up to 4ml between supports in vertical mode




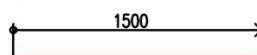
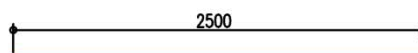
- Up to 2,5ml between supports in horizontal mode



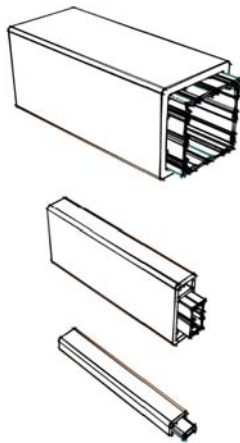
Density: 1,30 kg/dm³
Linear weight: 0,52+0,65(Fe) kg/ml









 - Up to 2,5ml between supports in vertical mode

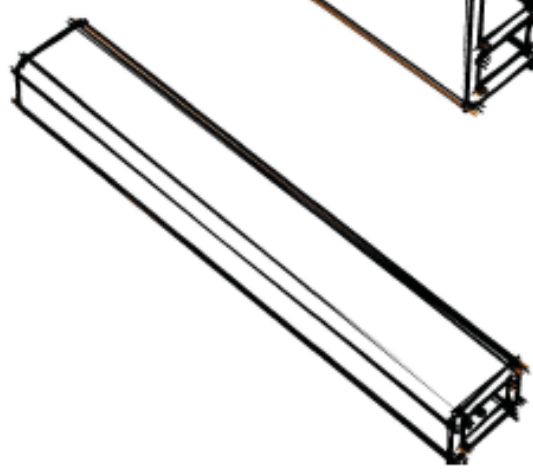
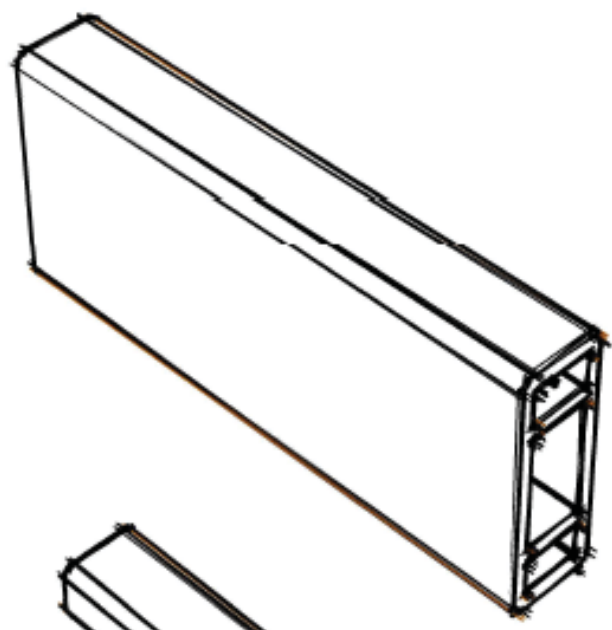
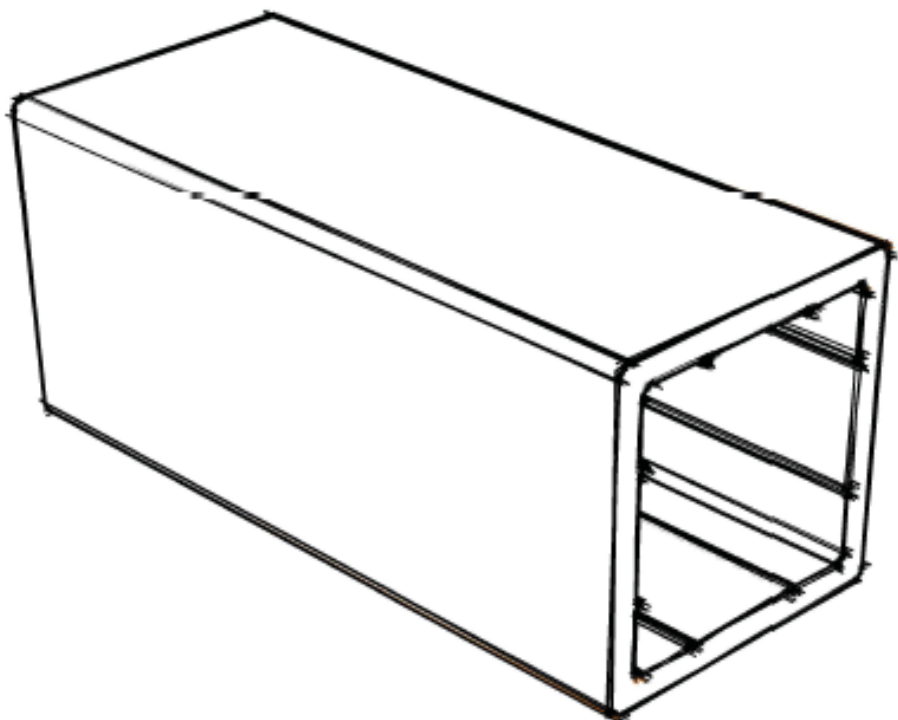
 - Up to 1,5ml between supports in horizontal mode

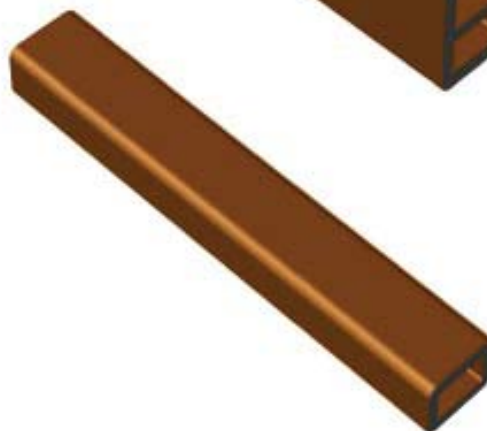
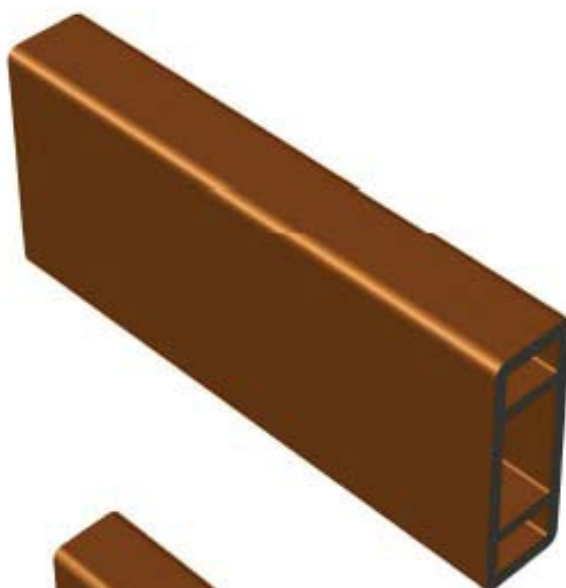
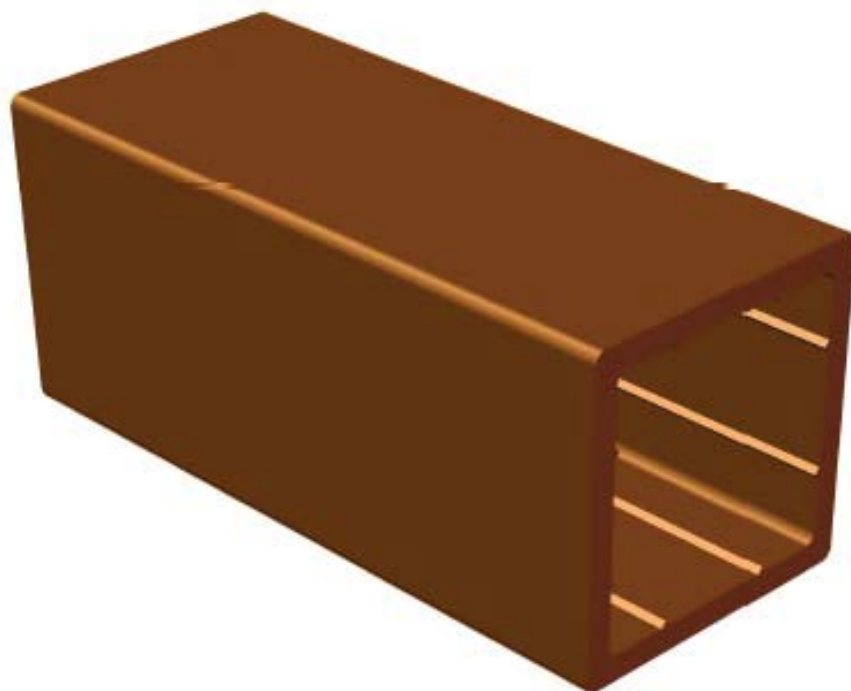


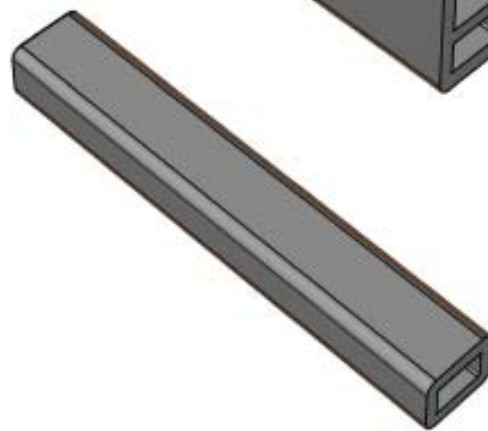
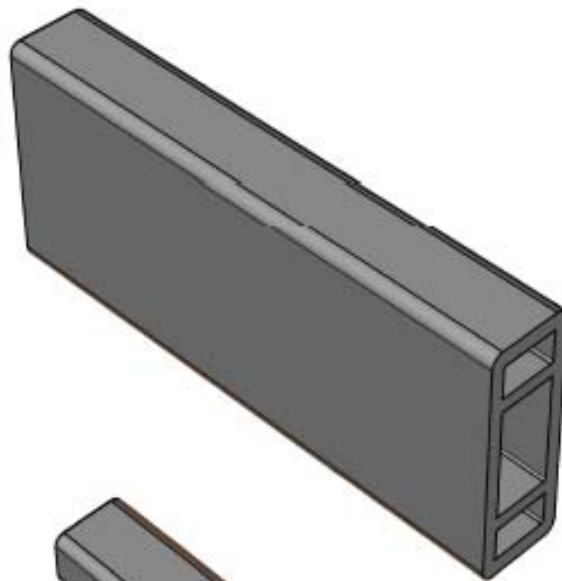
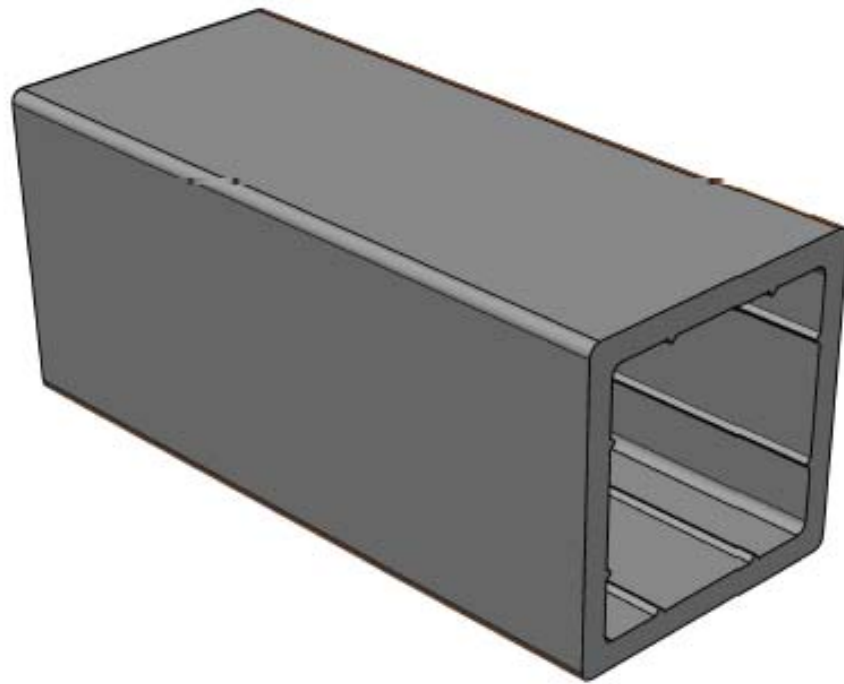
- . Tecnodeck profiles must always work together with metal reinforcement profiles.
- . The fixation of Tecnodeck profiles must be made to the metal reinforcement profiles and never to the composite profiles.
- . Please validate the fixations with Tecnodeck technical department.
- . For quantities, bespoke profiles are possible under request.
- . Distances between supports:



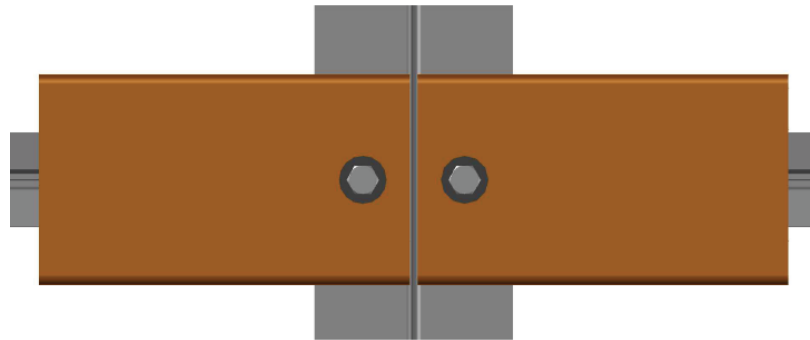
	Profile Position	L = 2M		L = 2,50m		L = 3m		L = 3,50m		L = 4m	
		DEFLECTION (mm)	L/f	DEFLECTION (mm)	L/f	DEFLECTION (mm)	L/f	DEFLECTION (mm)	L/f	DEFLECTION (mm)	L/f
WPC 85x65 + ALU 68 x 68		0,2	L/10.000	0,6	L/4.165	1	L/3.000	2	L/1.750	4	L/1.000
		0,2	L/10.000	0,6	L/4.165	1	L/3.000	2	L/1.750	4	L/1.000
WPC 85x30 + ALU 38x20		4	L/500	10	L/250	21	L/145	39	L/90	66	L/60
		2	L/1000	4	L/625	8	L/375	15	L/235	25	L/160
WPC 30x22 + ST 20x10x1		1	L/2000	2	L/1250	5	L/600	9	L/390	15	L/265
		8	L/250	21	L/120	43	L/70	80	L/45	137	L/30
		5	L/400	11	L/230	23	L/130	42	L/85	72	L/55
		3	L/665	8	L/300	16	L/185	29	L/120	49	L/80



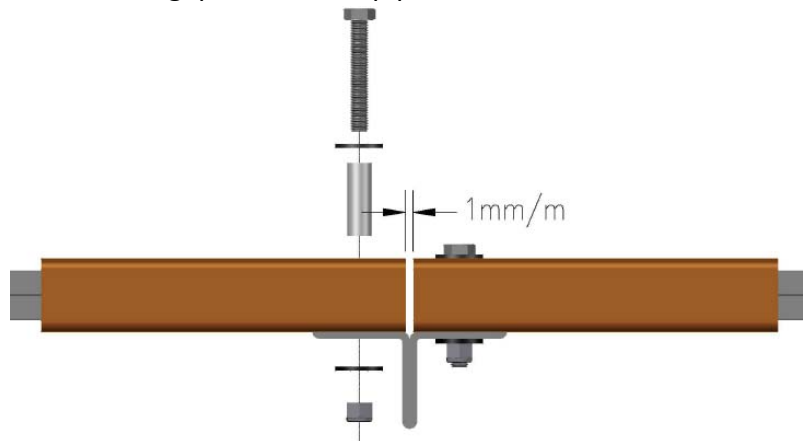




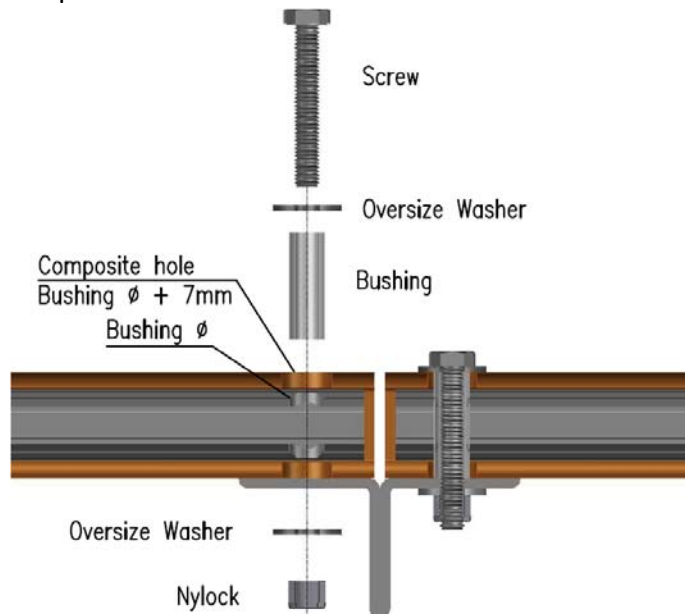
When fixing with screws profiles:



- Inner structural profile;
- Needs a 1mm/m gape between top profiles;

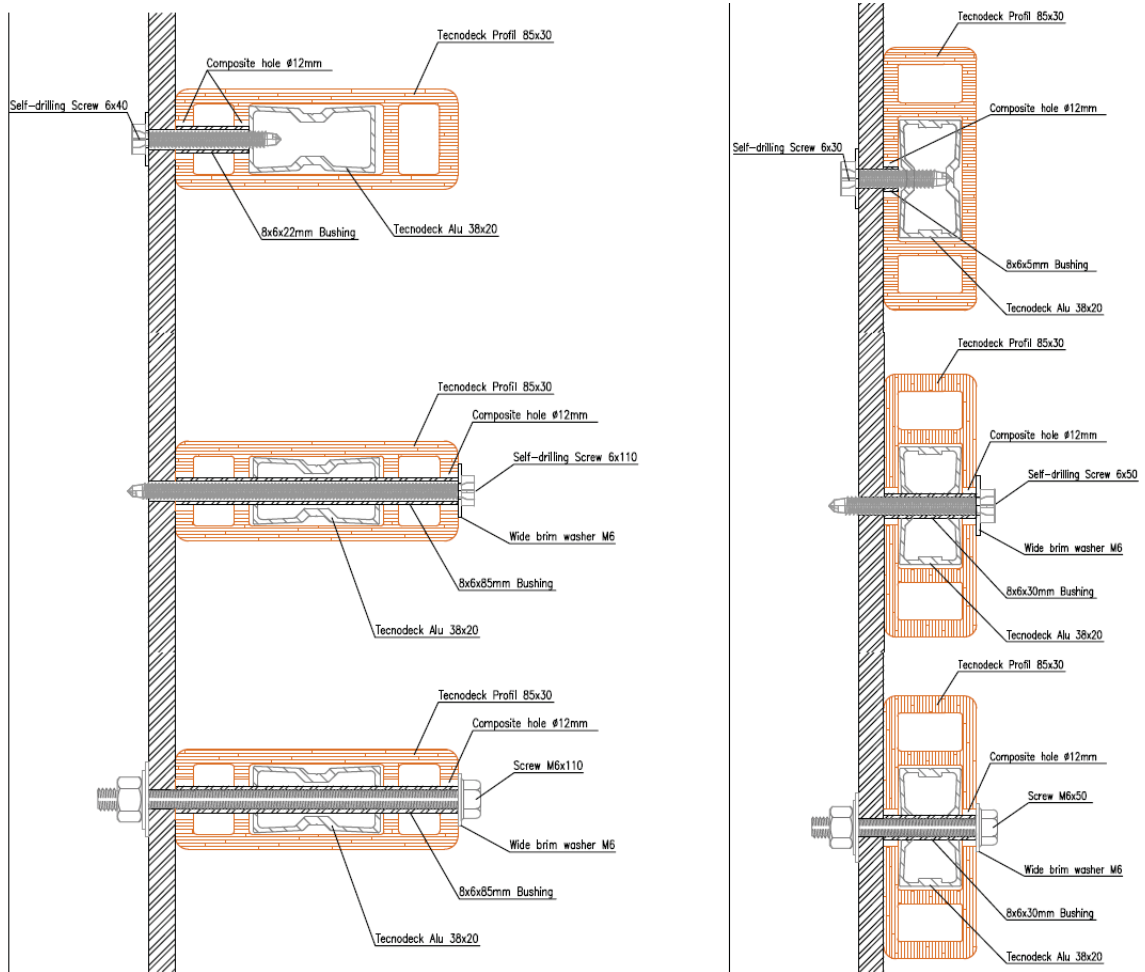


- Use a inner bushing to prevent smashing wpc profile;
- Protect the wpc with oversize washers



- Consider wpc hole diameter at least 4mm more than bushing outside diameter;
- Structural profile hole diameter equal to bushing outside diameter.
- All these parameters must be considered in any WPC profile, such as 85x85, 85x30 and 30x22.

- Some different examples:



- If in any doubt, please contact TECNODECK.



KOTEDOM MARTINIQUE

info@kotedom.fr - www.kotedom.fr

3 Impasse Lotissement Berthé
 97 200 FORT DE FRANCE
 Tél : 05 96 030 777